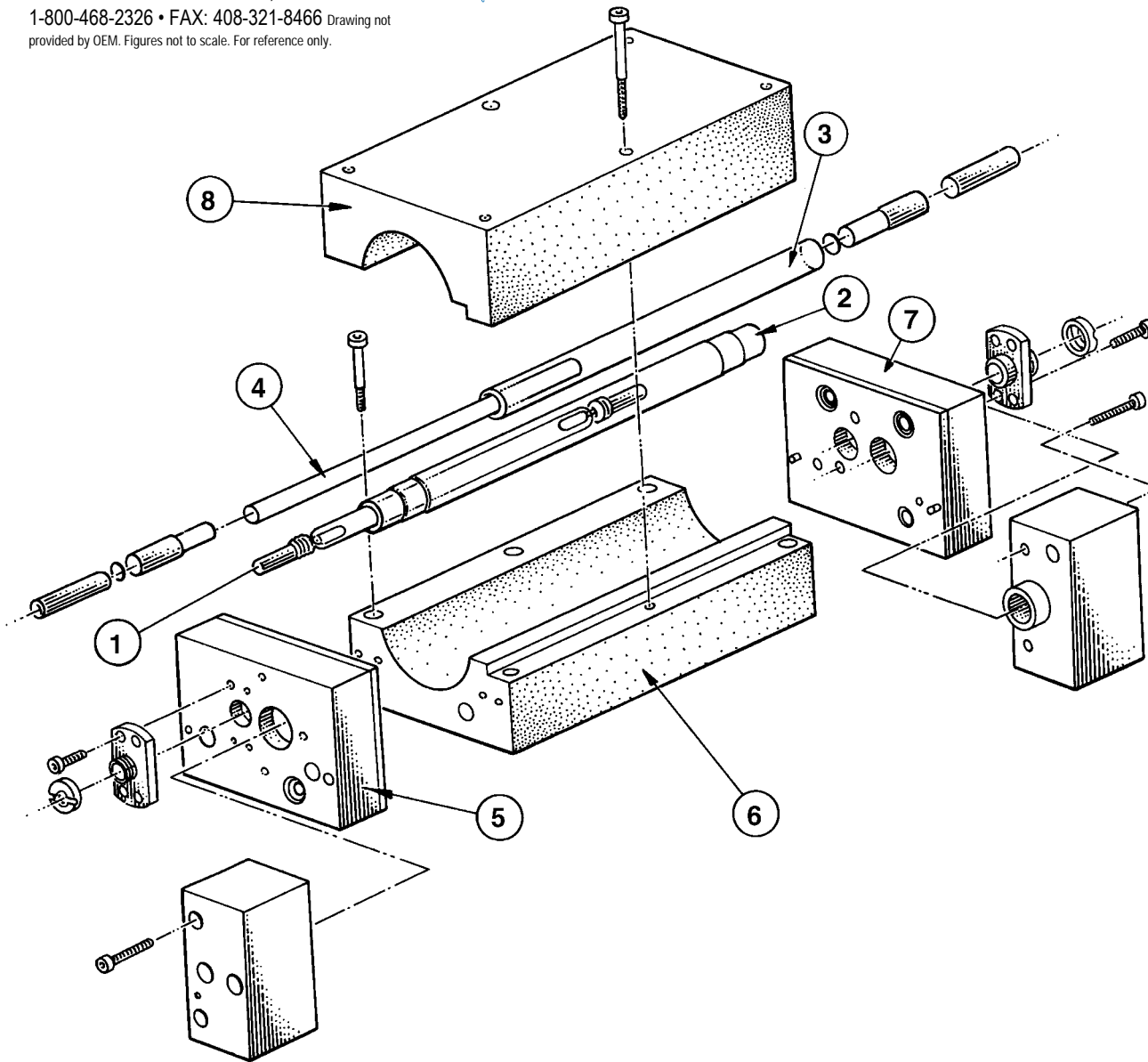


# DIRECTED LIGHT INC.



74 Bonaventura Dr. • San Jose, CA 95134  
 1-800-468-2326 • FAX: 408-321-8466 Drawing not  
 provided by OEM. Figures not to scale. For reference only.



Lasag LAK 301-302, LPM 301-302,  
 KLS 321-322, KLS 312

Item No.	Description	Part No.
1	Lamp Kr	LMP-12264
	Lamp Kr	LMP-13053
	Lamp Kr	LMP-13916
	Lamp Xe	LMP-11297
	Lampe Xe (Low Impedance)	LMP-11674
2	Flow Tube, Lamp	FLT-14926
3	Flow Tube, Rod	FLT-14927
4	Rod, YAG 1/4" x 6"	ROD-13894
5	Cavity End Plate Left	CAV-14928
	Cavity End Plate Left	CAV-14929
6	Cavity Lower	CAV-14930
	Cavity Lower	CAV-14931
7	Cavity End Plate Right	CAV-14932
	Cavity End Plate Right	CAV-14933
8	Cavity Upper	CAV-14934
	Cavity Upper	CAV-14935